

REV.	DATE	AMENDMENT	INITIAL

PROJECT:

MAIN CONSULTANT & GENERAL CONTRACTOR:

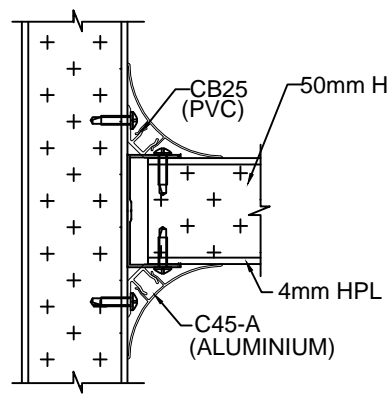
BUILDING OWNER/DEVELOPER:

MANUFACTURER

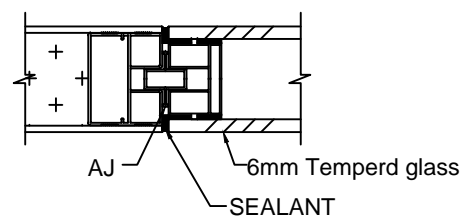
**SHUN YI CHENG**  
 CONTRACT ENGINEERING PTE LTD  
 No. 15, Changi North St 1, #01-22, 1Lofts@Changi, Singapore 496765  
 TEL : +65-6443-7977, FAX : +65-6443-7577  
 E: syccc@syccc.com.sg, W: www.syccc.com

DRAWING TITLE :  
**SC50+Coving Wall system typical drawing(50mm HPL)-2-1**

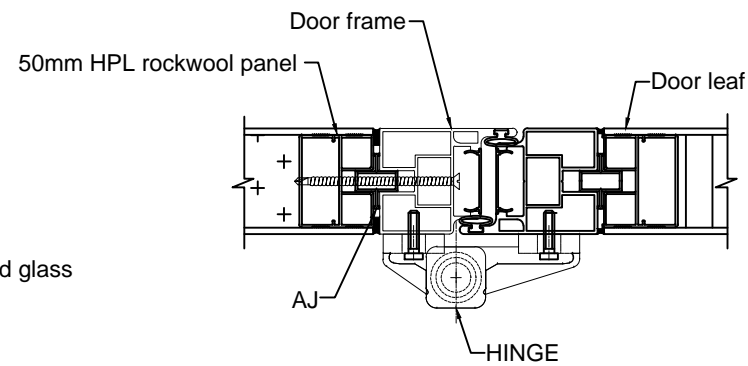
DRAWN BY: --	CHECKED BY: --
SCALE: --	DATE: 15.10.03
FILE NAME: --	
DRAWING NO: ----	REV: --
	SIZE: --



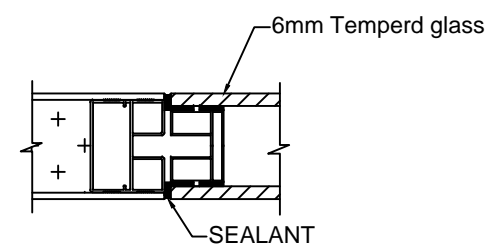
DETAIL A



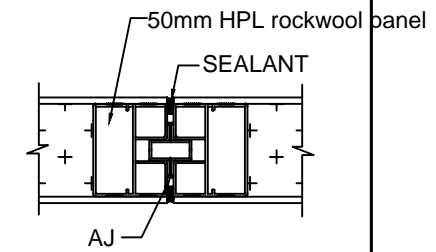
DETAIL B



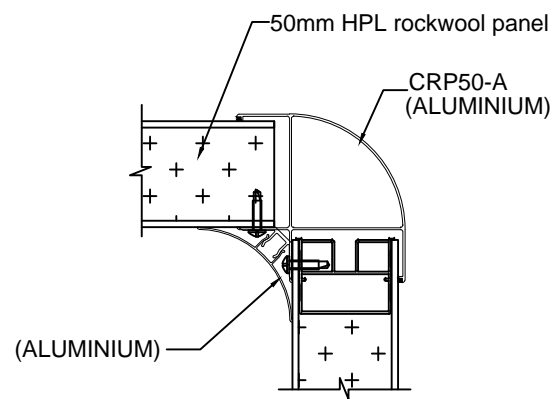
DETAIL C



DETAIL D

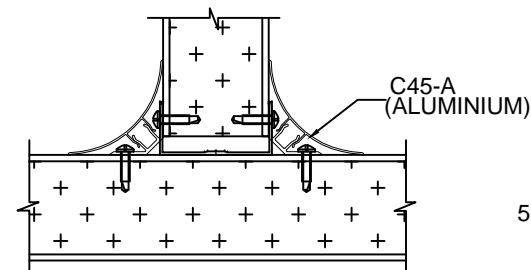


DETAIL E

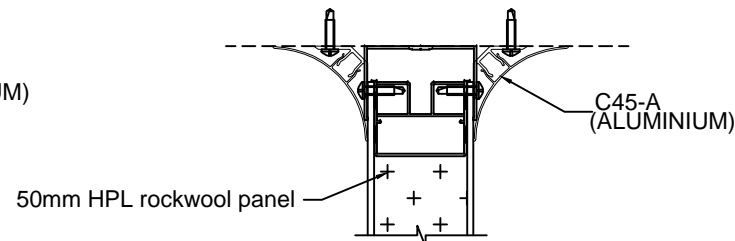


C45-A

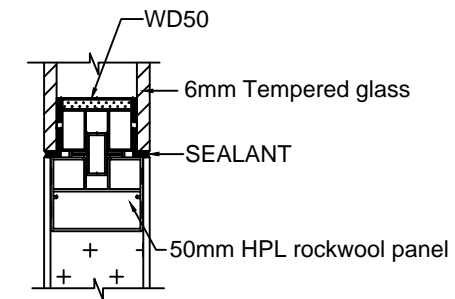
DETAIL F



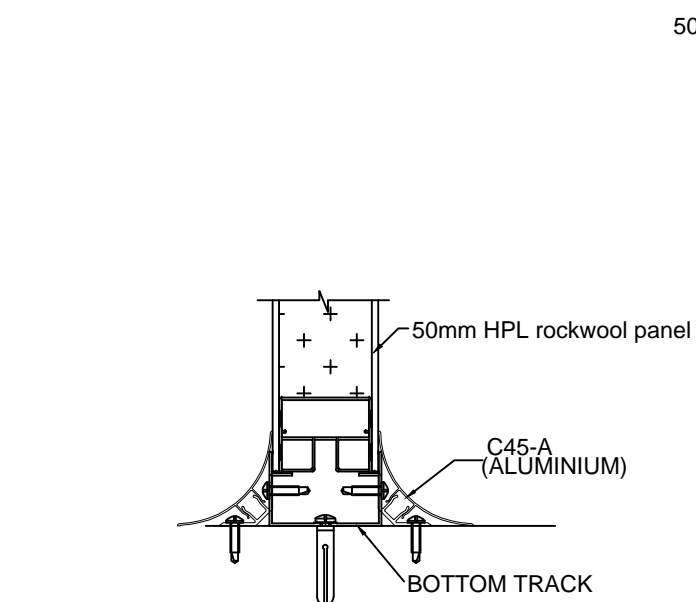
DETAIL G



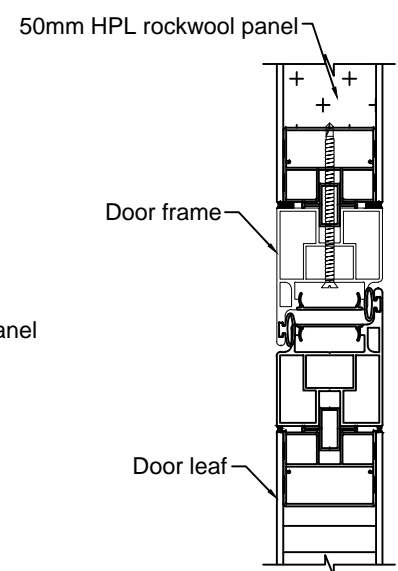
DETAIL H



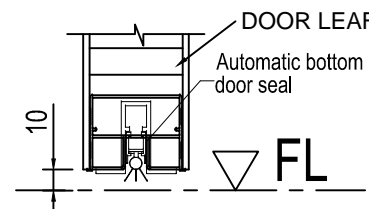
DETAIL I



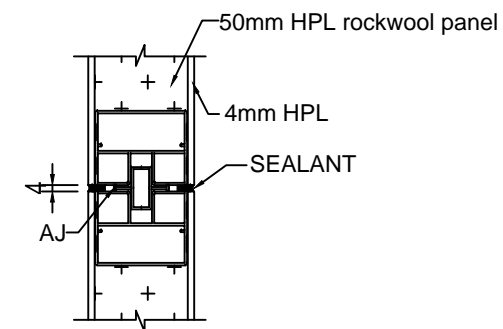
DETAIL J



DETAIL K



DETAIL M



DETAIL O

REV:	DATE:	AMENDMENT	INITIAL
PROJECT:			
MAIN CONSULTANT & GENERAL CONTRACTOR:			
BUILDING OWNER/DEVELOPER:			
MANUFACTURER:			
<p>SHUN YI CHENG          CONTRACT ENGINEERING PTE LTD          15, Changi North St 1, #01-22, 14, 15, Changi, Singapore 496765          TEL: +65-6443-7977, FAX: +65-6443-7577          E: sycee@sycee.com.sg, W: www.sycee.com</p>			
DRAWING TITLE:			
SC50+Coving Wall system typical drawing(50mm HPL)-2-2			
DRAWN BY:	---	CHECKED BY:	---
SCALE:	---	DATE:	15.10.03
FILE NAME:	---		
DRAWING NO:	---	REV:	---