

## SK1000 LIGHT DUTY NON-WALKABLE CEILING GRID SYSTEM

### INTRODUCTION:

SK1000 Semi Duty Non-Walkable Ceiling Grid system provides the most comprehensive variety of clean room ceiling solution in the industry.

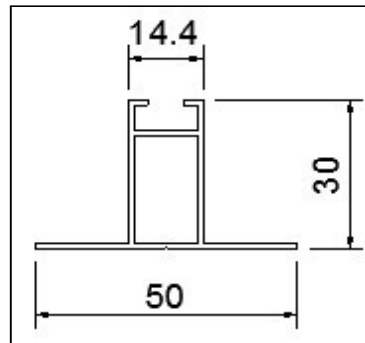
The system is designed for non-walkable and only able carry lightweight loads. The system provide fast and easy assemblies with aluminum alloy cross connector and one way locking T-Shape bolt, and thus gives installer quickly, efficiently, high accuracy and reducing the construction schedule. The system is non-progressive, demountable, and reusable system with flexible custom to size.

**SK1000 Semi Duty Non-walkable Ceiling Grid System is design to meet your most demanding criteria as:**

1. Cost effective & value engineering
  - Systems come with lightweight and solid aluminum profile, combine with other standard accessories, provide strong and lower price ceiling grid structure
  - With SYC friendly user design profile, systems is fast, flexible and easy for installation
2. Superior appearance
  - Systems come with aluminum natural anodized surface or powder coated and gives a perfect appearance
3. Fast delivery and competitive cost
  - SYC provide high quality product, reasonable price and fast delivery to meet customer requirement
4. Suitable for cleanroom 100 to 100K
  - Provide clean environment which suitable for class 100 to 100K
5. Reusable system with flexible custom to size
  - Flexible systems which easy to uninstall and remodel from one location to the other
  - Easy to handle

**Ceiling Tee:** Semi Duty Ceiling Tee  
Height and Width are 30mm and 50mm respectively  
Material is AL Alloy (6063-T5)

Figure 1: SK1000 Ceiling Grid



**Material Standard:** China Standard, GB5237.2-2004 (Natural Anodized Extrusion)  
China Standard, GB5237.4-2004 (powder Coated Extrusion)

**Accessories:** Hollow Turnbuckle  
Material is Steel Alloy Q235 C0.14~0.22%  
Mn 0.30~0.65 Si ≤ 0.30 ≤ 0.050P ≤ 0.045  
With China Standard GB700-88  
M6 T-Bolt and Flanged Nut  
Material is Medium-Carbon Alloy Steel, 35ACR, grade 8.8 with standard DIN916  
Aluminum Cross, T and L Connector  
Material is AL Alloy (6063-T5)  
With China Standard GB5237.1-2004

**Panel Type:** Gypsum Board  
Non-combustible  
Size is 1200 x 600 x 12 mm

**Applications:** Electronics & Pharmaceutical Cleanroom

**Facings:** Water Resistance Smooth PVC Film, T=0.15 mm  
Conductivity: Non-conductive

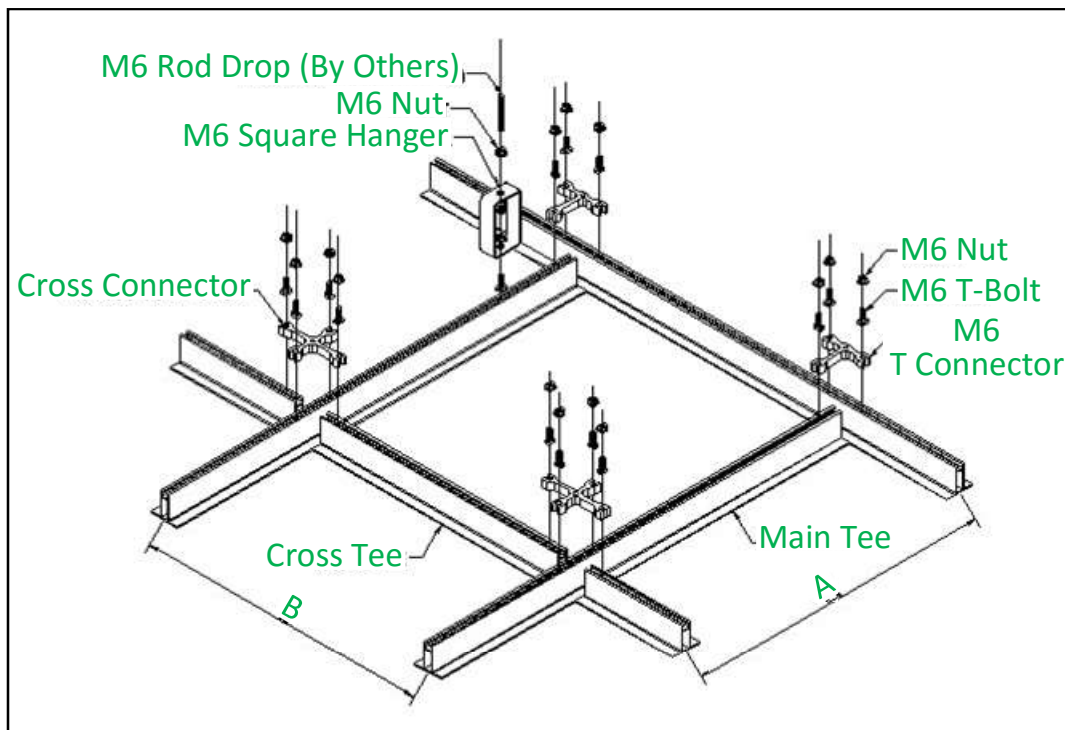
**Color:** Grey White (Close to RAL 9016)

**Panel Dimension:** Thickness of the panel is 12mm.  
Dimension is 600 x 1200 mm or 1200 x 1200 mm.

**Table 1: Panel Specification**

Available Test	Values Required	Unit	Test Method
Finished Thickness	0.08 ( $\pm 10\%$ )	mm	ASTM D374
Finished Width	50 (-0/+0.5)	In	CFFA-700a
Grad Test	MD 250.0 min TD 220.0 min	kg/cm <sup>3</sup> kg/cm <sup>3</sup>	ASTM D638
Trap Gear	MD 8.0 min TD 8.0 min	kg/mm kg/mm	ASTM D882
Elongation	MD 120 min TD 120 min	% %	ASTM D638
Color/Pattern	Match STD	-	Visual
Surface Defect	No Spots, Streak Line, Pin, Tear	-	Visual

**Figure 2: SK1000 System Structure**



**Figure 3: SK1000 System Appearance**

