

## SK2000S HEAVY DUTY WALKABLE CEILING GRID SYSTEM

### INTRODUCTION:

SK2000S Heavy Duty Walkable Ceiling Grid system provides the most comprehensive variety of heavy duty clean room ceiling solution in the industry.

The system is designed for walkable or to carry loads such as live load, utility racking, FFU and etc.

The system provide faster and easier assembly with solid steel alloy cross connector with and one way locking T-Shape bolt, give installer greater installation accuracy, quickly and efficiently, reducing the construction schedule.

The system is non-progressive and demountable system. Also a reusable system with flexible custom to size.

Loading Performance is maximum uniform load is 200kg/sq.m and point load is 120kg can be applied at any location along the grid

### SYC Heavy Duty Walkable Ceiling Grid is design to meet your most demanding criteria as:

1. Cost effective & value engineering
2. Superior appearance
3. Fast, flexible and easy installation
4. Fast delivery and competitive cost
5. Suitable for clean room 100 to 100K
6. Reusable system with flexible custom to size

**System:** Demountable Wall Panel System

**Applications:** Electronics & Pharmaceutical Cleanroom

**Ceiling Tee:** Heavy Duty ceiling tee  
Height and width are 50 and 58 mm respectively  
Material is AL Alloy (6065-T5)

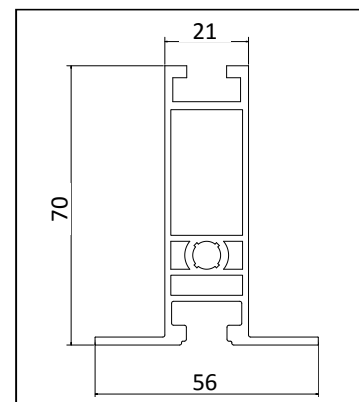
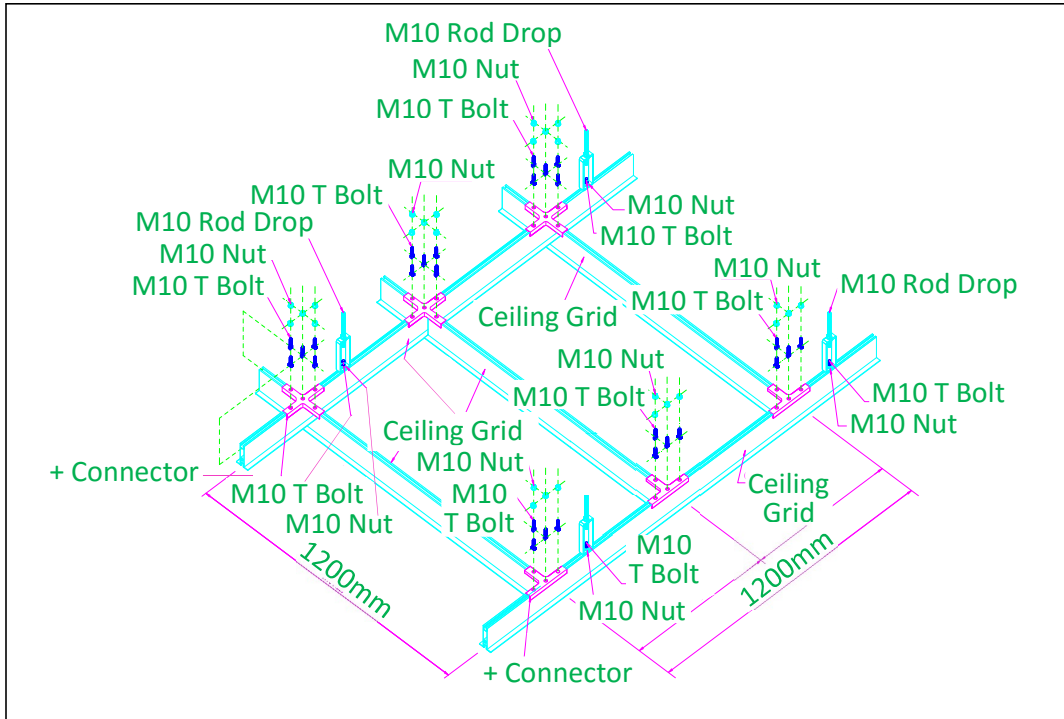


Figure 1: SK2000S Ceiling Grid

**Figure 2: SK2000S System Structure**



**Figure 3: SK2000S System Simulation Appearance**

